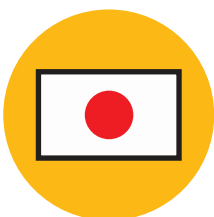


# CAUTRAC

TRACKS | CONSTRUCTION MACHINERY | PARTS



# MOROOKA MST 2200VDR



MADE IN JAPAN



PAYLOAD



360° ROTATION



CATERPILLAR DIESEL



TRACK WIDTH

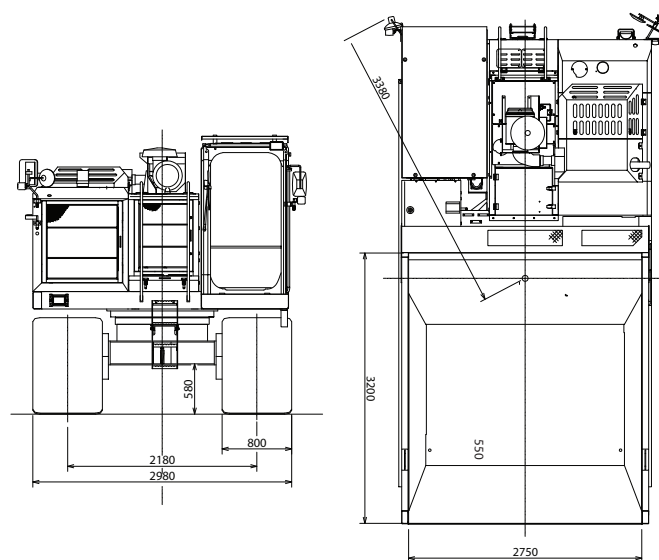
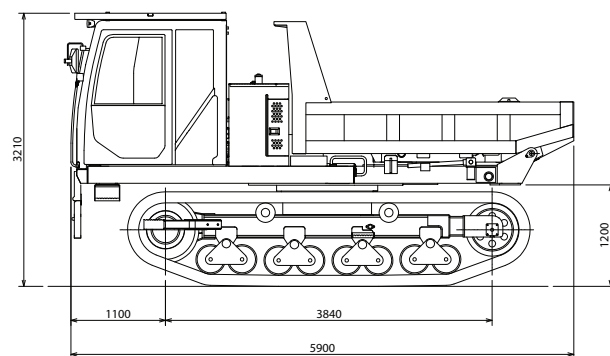
[www.cautrac.com](http://www.cautrac.com)

### Specifications

Make	Morooka
Model	MST 2200VDR
Payload	11000kg
Unladen Weight	16000kg
Maximum Speed	10 KPH / 6.2 MPH
Engine Make & Model	CAT C7.1 T4i
Engine Type	6 cylinder liquid cooled diesel
Engine Power @ 2000rpm	186 KW / 249 HP
Ground Pressure Empty	35.4 KPA / 5.13 PSI
Ground Clearance	580 mm
Fuel Type	Diesel

# MOROOKA

## MST 2200VDR



### Dimensions

Overall Length	5900 mm
Overall Width	2980 mm
Overall Height	3200 mm
Track Centres	2180 mm
Track Width	800 mm
Dump Body Length Internal	3200 mm
Dump Body Width Internal	2750 mm

